

ComfortLine with low entrance:

...a plus in comfort

Besides the known advantages of the ComfortLine, for example the **5 easy to access motors**, the **multifunctional armrest** and the **activation of the shock position by foot pedal** the ComfortLine **with low entrance** provides more comfort by having a **very low and electrically adjustable seat height**. Thus the chair offers a **particularly easy entrance** also to wheelchair users.

Different colour combinations make the chair fit perfectly into the desired environment.



Standard colour:

Chrom grey



Special colours for bi-colour applications:

Feuer



Atoll



Lima



Amazonas



Technical Data

Dimensions

Seat section width	60 cm
Chair width	90 cm
Total length	215 cm
Total weight	92 kg
Ground clearance	3 cm

Adjustment features

Back section	80° - 0°
Seat section	25° - 0°
Leg section	0° - 25°
Foot rest electrical	12 cm
Foot rest mechanical	18 cm
Height adjustment	50 - 63 cm

Safety

Safe maximum load	240 kg
Angle of shock position	- 12°
Time for shock position	10 sec

Electrical specifications

Power supply	230 V 50/60 Hz
on demand	110 V 50/60 Hz
Voltage	173 VA
Protection class	2
Protection category	IPX 4
In compliance with	EN 60601
Motors	5

 **ComfortLine®**

Therapy chair with
low entrance

Dialysis
Transfusion
Oncology



Bionic Medizintechnik GmbH ... a JMS-corporation · Max-Planck-Straße 21
D-61381 Friedrichsdorf/Germany · Telefon +49 (0)6172-7576-0
Fax +49 (0)6172-7576-10 · info@bionic-jms.com · www.bionic-jms.com

Right for technical modifications reserved
B-MOTISEZ



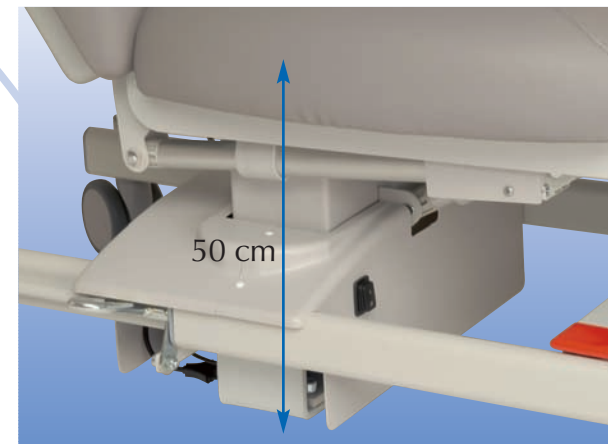


ComfortLine®

Therapy chair with low entrance



Characteristics



The entrance height is only 50 cm with a maximum seat level of 63 cm.



The very low seat level allows an easier entrance also to patients in wheelchair*.

*ComfortLine shown with removed armrest